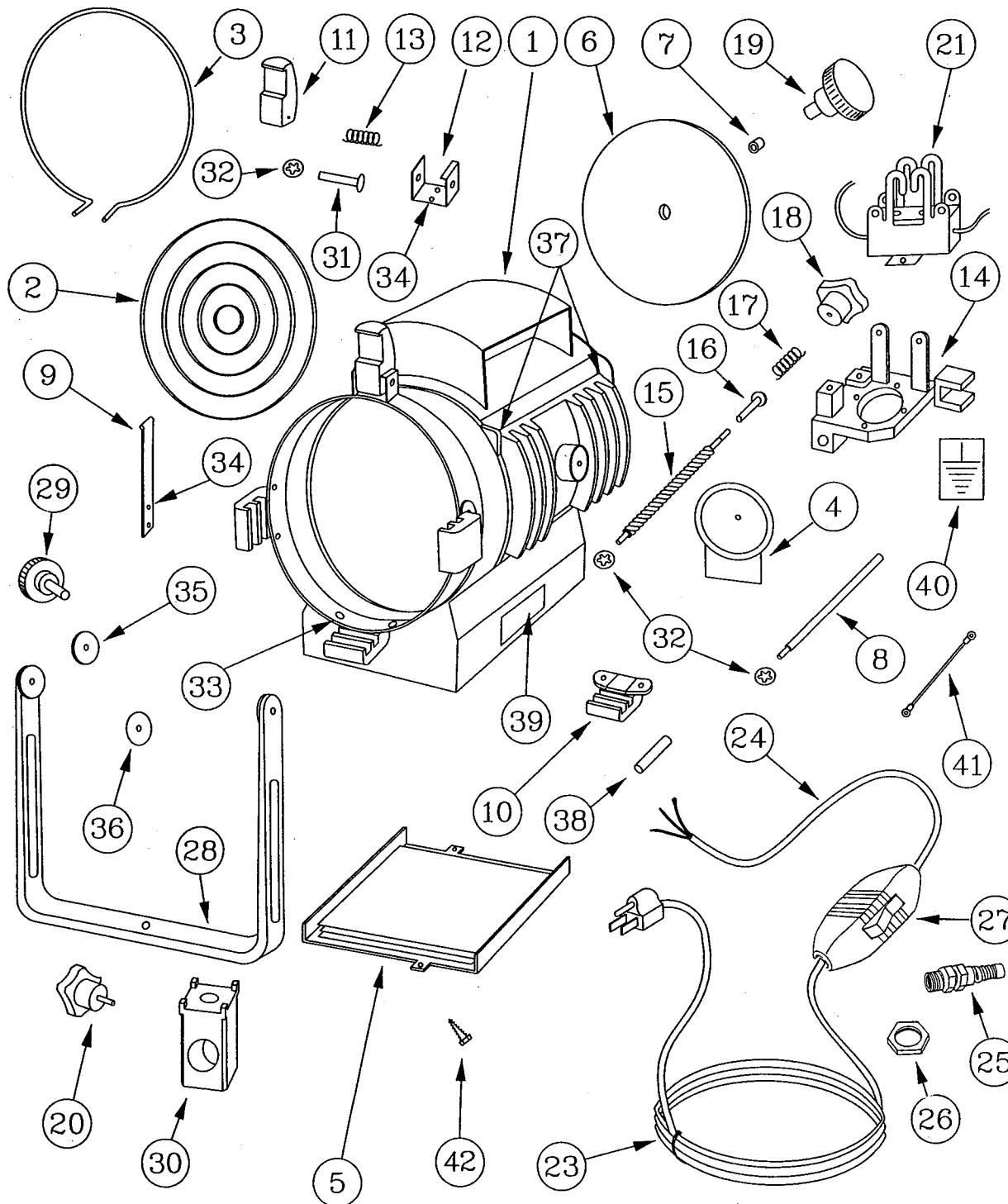




LTM CORPORATION OF AMERICA

PEPPER 420 REF. 154E



REP	REF. CODE	QTY	DESIGNATION
1	154E	1	HOUSING
2	602 313	1	FRESNEL LENS $\varnothing$ 80
3	S1124 02	1	RETAINING RING
4	S940	1	REFLECTOR
5	S11 24 03	1	BOTTOM PLATE
6	S11 24 04	1	BACK PLATE
7	S 932	1	BLOCKING PIECE
8	S11 24 05	1	GUIDE ROD
9	S11 24 06	1	CLOSING SPRING, LID
10	S 1121-01	3	FILTER BRACKET, FIXED
11	S 1121-02	1	FILTER BRACKET, HINGED
12	S 1121-03	1	FILTER BRACKET SUPPORT, HINGED
13	S 226 03	1	SPRING, FILTER BRACKET, HINGED
14	S 11 24 08	1	CHARRIOT 200/420
15	S 11 24 09	1	ADJUSTING SCREW
16	S 981	1	BLOCKING PIECE, ADJUSTING SCREW
17	S 977	1	SPRING, ADJUSTING SCREW
18	602 276	1	FOCUS KNOB
19	602 278	1	BACK KNOB
20	602 245	1	STAND YOKE FOOT KNOB
21	806 439	1	SOCKET
23	606 629	1	CABLE WITH MOLDED PLUG
24	605 280C	1	17" SILICON CABLE TO SWITCH
25	3237N	1	STRAIN RELIEF BUSHING
26	075963	1	STRAIN RELIEF NUT
27	5410	1	SWITCH LEVITON
28	S11 24 10	1	YOKE
29	602 315	2	YOKE KNOB
30	S 393	1	YOKE FOOT
31	918030	1	FILTER HOLDER AXEL
32	604475	3	STAR LOCK NUT $\varnothing$ 3
33	MISC	6	POP RIVET GMAD34A
34	MISC	4	POP RIVET GMAD32A
35	580 4362	2	FRICTION SPRING WASHER
36	S11 24 13	2	FRICTION DISK
37	604 472	2	HINGE PIN, LID
38	900005	2	CRIMP SPLICE
39	154E101	2	PEPPER 420 LABEL
40	S338	1	GROUND LABEL
41	S1243	1	GROUND STRAP
42	MISC	2	#3 PHILLIPS HEAD SHEET METAL SCREW